


MEM Bath spout without diverter for free-standing assembly - Champagne (22kt Gold)

MEM

13 672 780



- 280mm projection
- cascade
- total height 830 - 900 mm
- height up to aerator 665 – 735 mm
- push-on rosette 130 x 130 mm
- max. flow 47.8 l/min at 3 bar flow pressure

| | | |
|---|--------------------------------|---------------|
|  | Champagne (22kt Gold) | 13 672 780-47 |
|  | Chrome | 13 672 780-00 |
|  | Brushed Platinum | 13 672 780-06 |
|  | Platinum | 13 672 780-08 |
|  | Dark Chrome | 13 672 780-19 |
|  | Brushed Durabronze (23kt Gold) | 13 672 780-28 |
|  | Brushed Champagne (22kt Gold) | 13 672 780-46 |

Required miscellaneous



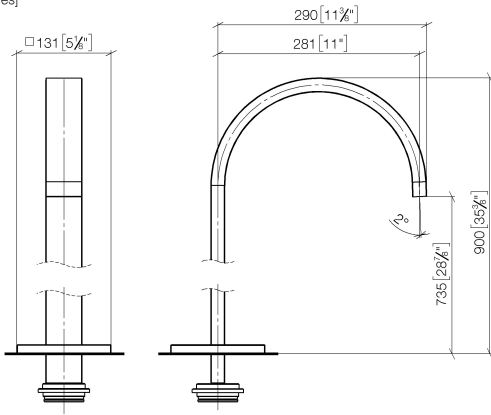
- Concealed floor mounting -**
- max. recess depth 150 mm
 - min. recess depth 80 mm

35 945 970 90

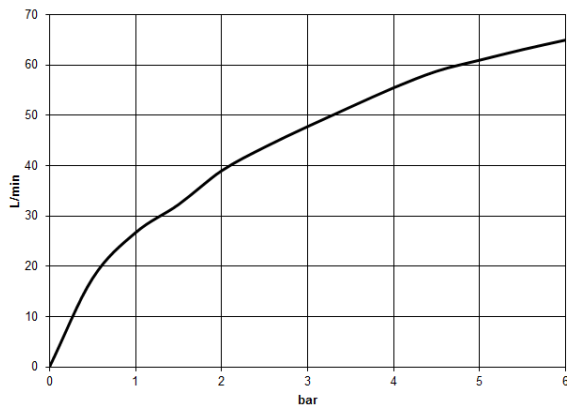
**MEM Bath spout without diverter for free-standing assembly - Champagne
(22kt Gold)**

MEM

13 672 780
mm [inches]



Flow rate chart



13 672 780

